



LIFAN

Parts Catalog

LF200GY-4

2018 Edition



UNIVERSAL

HARDWARE®

Box 585, Center Road
Spanish Lookout
Tel 501 823 0254
sales@universalhardware.bz

3380 Chetumal Street
Belize City
Tel 501 224 4140
salesbz@universalhardware.bz



ML100-A



LF110-7A



LF1200DT



ML125-5



ML125-7



ML125T-26



LF150-7



LF150GY-3B



LF200GY-4



LF250GY-4



LF150-10F



LF150-10S



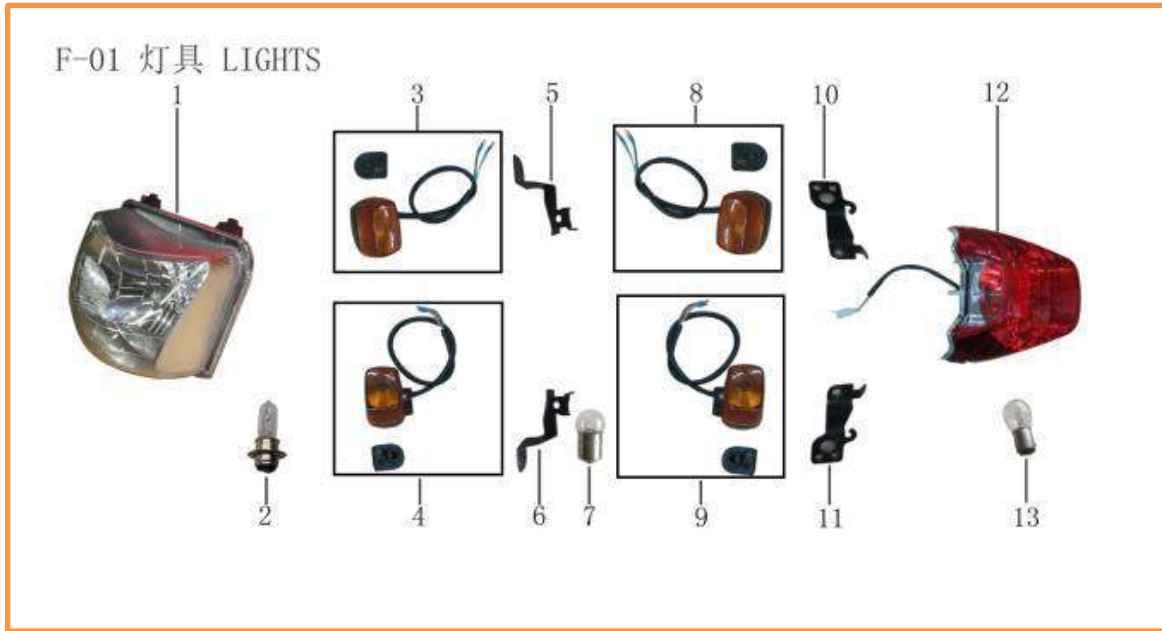
ML200-16D



ML250-4

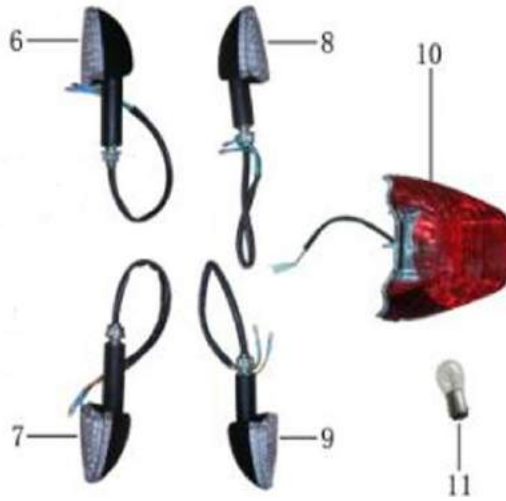


ML200ZH-3



20041-1	Headlight Assy	
20041-2	Bulb	
20041-3	Winker, Front, RH	
20041-4	Winker, Front, LH	
20041-5	Bracket, Left Front Turn Signal	
20041-6	Bracket, Right Front Turn Signal	
20041-7	Bulb, Turn Signal	
20041-8	Signal Assy.,Left Rear Turn	
20041-9	Signal Assy.,Right Rear Turn	
20041-10	Bracket, Left Rear Turn Signal	
20041-11	Bracket, Right Rear Turn Signal	
20041-12	Light Unit,Tail	
20041-13	Bulb,Tail Light	

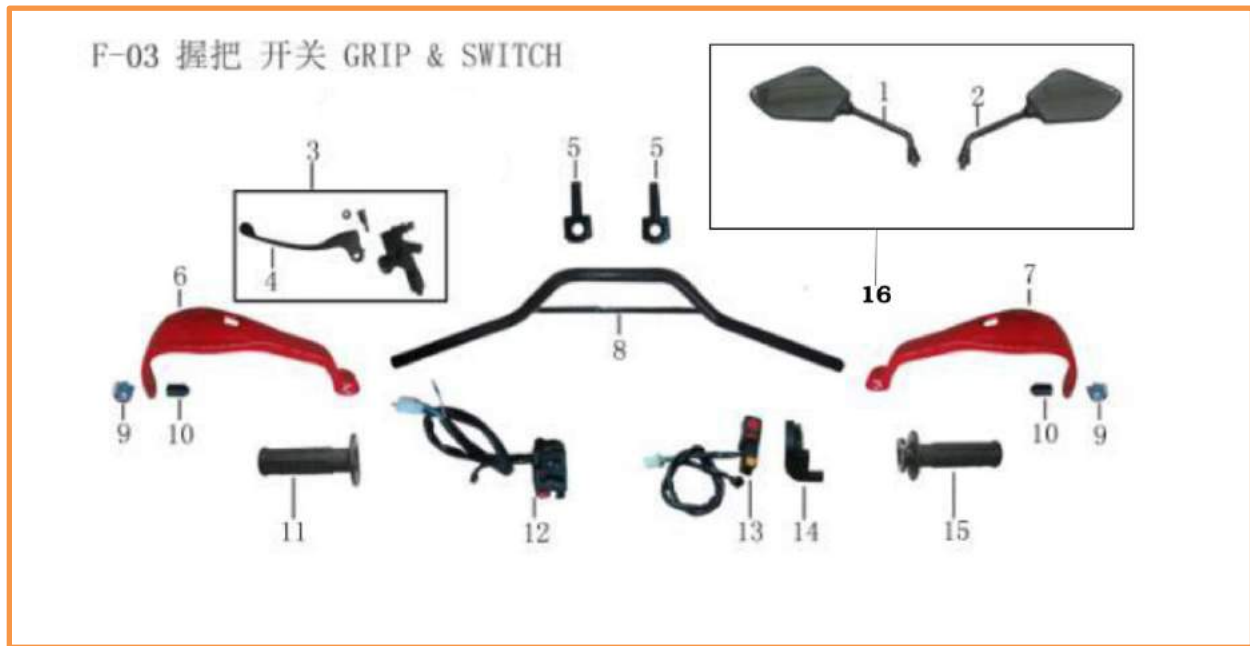
F-01-II 灯具 LIGHTS (250CC)



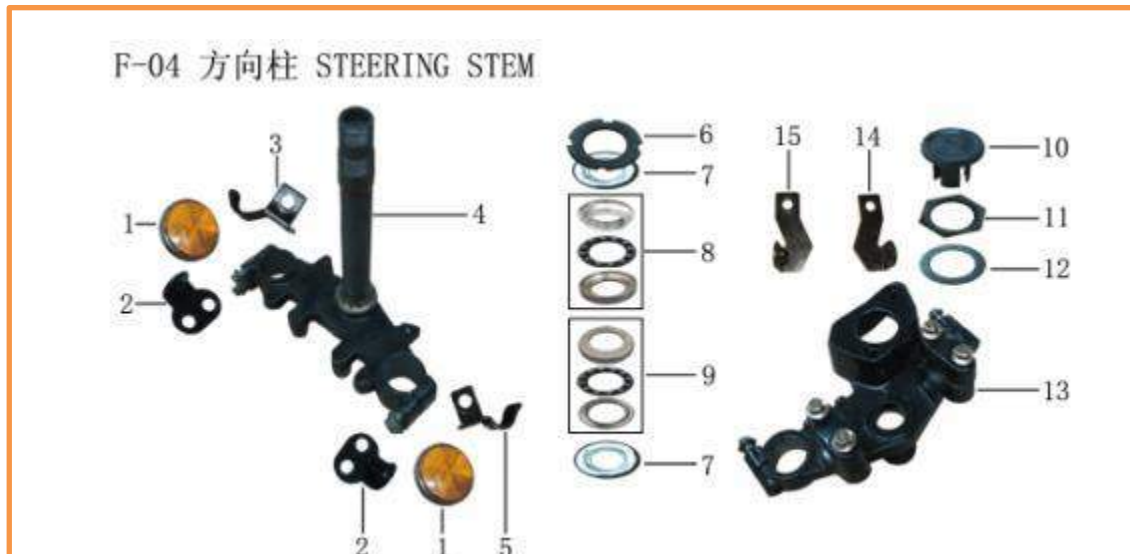
2501-6	Winker, Front, RH	
2501-7	Winker, Front, LH	
2501-8	Bracket, Left Rear Turn Signal	
2501-9	Bracket, Right Rear Turn Signal	
2501-10	Light Unit, Tail	
2501-11	Bulb, Tail Light	



20042-1	Meter Assy. (200CC)	
20042-2	Bracket,Meter	
20042-3	I-Rubber	
20042-4	Cable Comp,Clutch	
20042-5	Cable Comp, Choke	
20042-6	Cable Comp,Throttle	
20042-7	Cable Comp,Speedometer	
20042-8	Stay,Speedometer Cable	
2502-9	Meter Assy.(250CC)	



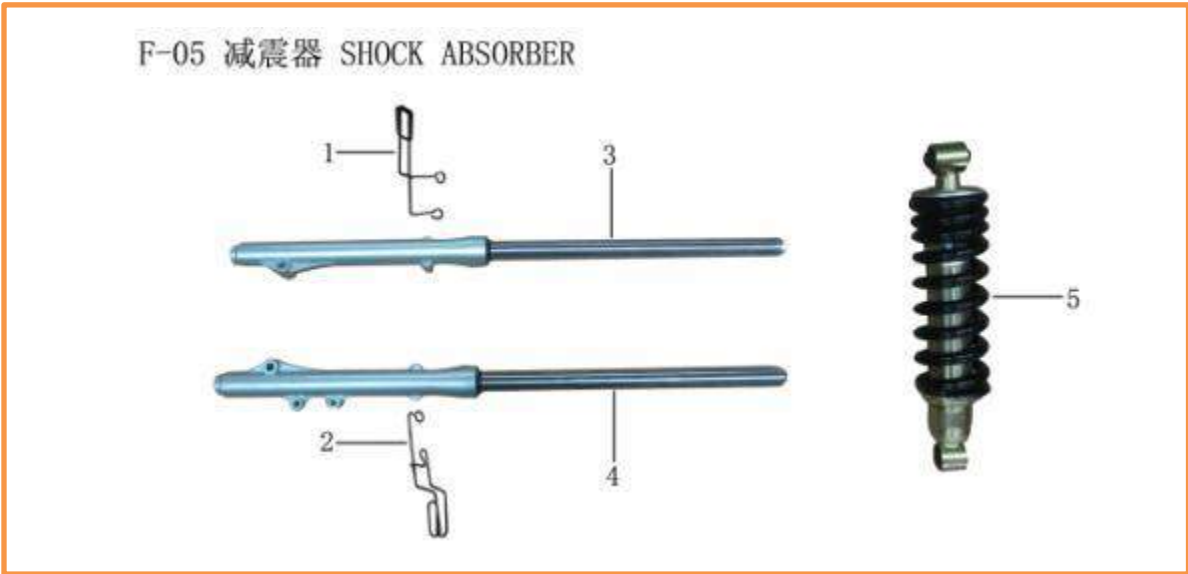
20043-1	Rearview Mirror, LH	
20043-2	Rearview Mirror, RH	
20043-3	Lever Set, Clutch	
20043-4	Lever, Clutch	
20043-5	Deck Hand Guard	
20043-6	Handle Guard, Left	
20043-7	Handle Guard, Right	
20043-8	Pipe Comp, Steering Handle	
20043-9	Hand Block Guard Decorated	
20043-10	Weight, Left Handle	
20043-11	Grip, LH	
20043-12	Handlebar Switch, LH	
20043-13	Handlebar Switch, RH	
20043-14	Seat, Greaser	
20043-15	Grip Comp., Throttle	
20043-16	Mirror - LF200GY-4 2pc set	



20044-1	Side Reflector	
20044-2	Bracket Side Reflector	
20044-3	Wire Clip I	
20044-4	Body Set,Steering Stem	
20044-5	Circlip, Hose I	
20044-6	Adjust Nut,Steering Stem	
20044-7	Dust Cap,Steering Stem	
20044-8	Upper Bearing,Steering Stem	
20044-9	Lower Bearing,Steering Stem	
20044-10	Hole Plug	
20044-11	Acorn Nut,Steering Stem	
20044-12	Washer,Steering Stem	
20044-13	Plate, Connecting Upper	
20044-14	Headlight Bracket, LH	
20044-15	Headlight Bracket, RH	



	Bracket,Side Reflector	
	Side Reflector	
	Wire Clip I	
2504-4	Body Set,Steering Stem	
	Circlip, Hose I	
	Adjust Nut,Steering Stem	
	Dust Cap,Steering Stem	
	Upper Bearing,Steering Stem	
	Lower Bearing,Steering Stem	
	Hole Plug	
	Acorn Nut,Steering Stem	
	Washer,Steering Stem	
2504-13	Plate, Connecting Upper	
	Headlight Bracket, LH	
	Headlight Bracket, RH	



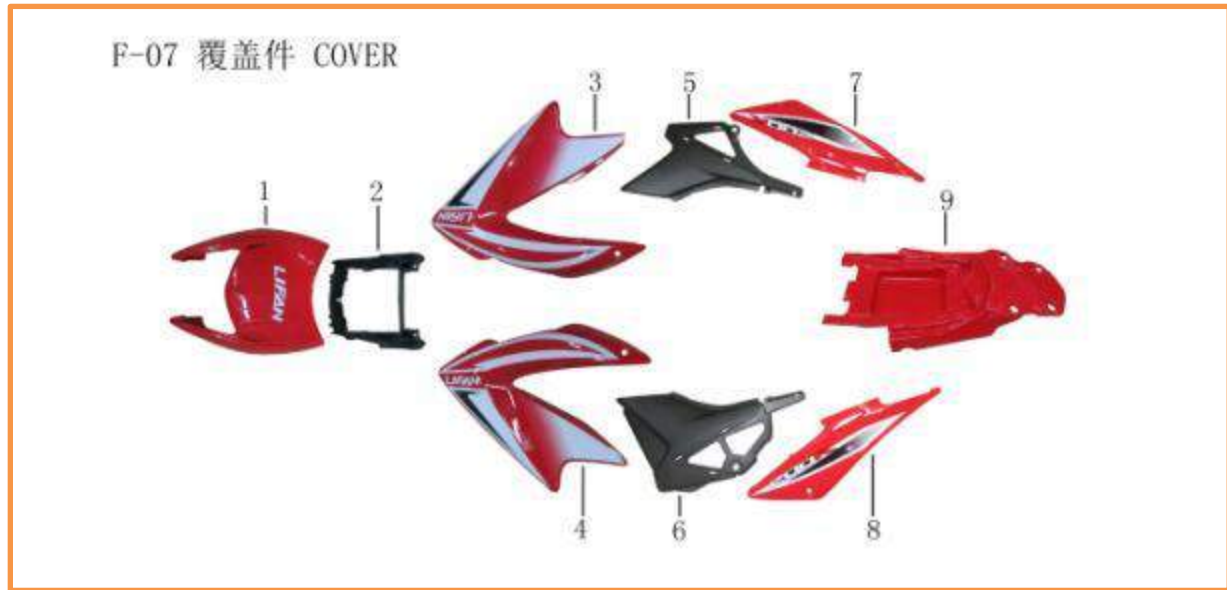
20045-1	Wire Clip li	
20045-2	Circlip, Hose li	
20045-3	Front Shock Absorber,RH	
20045-4	Front Shock Absorber,LH	
20045-5	Absorber Assy.,Rear Shock	



20045-1	Wire Clip li	
20045-2	Circlip, Hose li	
25045-3	Front Shock Absorber,RH	
25045-4	Front Shock Absorber,LH	
20045-5	Absorber Assy.,Rear Shock	
25045-6	Plastic Cover RH	
25045-7	Plastic Cover LH	



20046-1BU	Front Fender Blue	
20046-1R	Front Fender Red	
20046-2	Front Fender Lining	
20046-3	Seat	
20046-4	Seat Mounting Bracket	
20046-5	Rear Handrail,RH	
20046-6	Rear Handrail,LH	
20046-7	Rear Fender	
20046-8	Bracket,Rear Registration Plate	
20046-9	Rear Handrail,RH(250CC)	
20046-10	Rear Handrail,LH(250CC)	
2506-11	Bracket,Rear Registration Plate(250CC)	



20047-1	Air Guide Sleeve Comp.	
20047-2	Connecting Block Of Headlight Bracket	
20047-3BU	Cover,Fuel Tank Right Decorative Blue	
20047-3R	Cover,Fuel Tank Right Decorative Red	
20047-4BU	Cover,Fuel Tank Left Decorative Blue	
20047-4R	Cover,Fuel Tank Left Decorative RED	
20047-5	Cover,Right Side	
20047-6	Cover,Left Side	
20047-7BU	Body Cover,Right Blue	
20047-7R	Body Cover,Right Red	
20047-8BU	Body Cover,Left Blue	
20047-8R	Body Cover,Left Red	
20047-9BU	Cover Comp.,Tail (White W4) Blue	
20047-9R	Cover Comp.,Tail (White W4) Red	



20048-1	Lock Kit	
20048-2	Rubber Jacket,Fuel Tank Prop	
20048-3	Fuel Tank Comp.	
20048-4	Sensor, Fuel Level	
20048-5	Fuel Switch Assy.	
20048-6	Pad,Fuel Tank Cushion	
20048-7	Washer,Flange	



20049-1	Tube,Front Wheel	
20049-2	Tire,Front Wheel	
20049-3	Wheel,Front	
20049-4	Disk Comp.,Front Brake	
20049-5	Axle,Front Wheel	
20049-6	Washer,Flange	
20049-7	Speed Counter	
20049-8	Disc-Brake Assy.,Front	
20049-9	Pad Comp.,Front Brake	
20049-10	Lever Comp.,Right Steering Handle	
20049-11	Switch, Brake	
20049-12	Bolt set brake Disc	
20049-13	Spoke - LF200GY-4 inside 18pc front	
20049-14	Spoke - LF200GY-4 outside 18pc front	



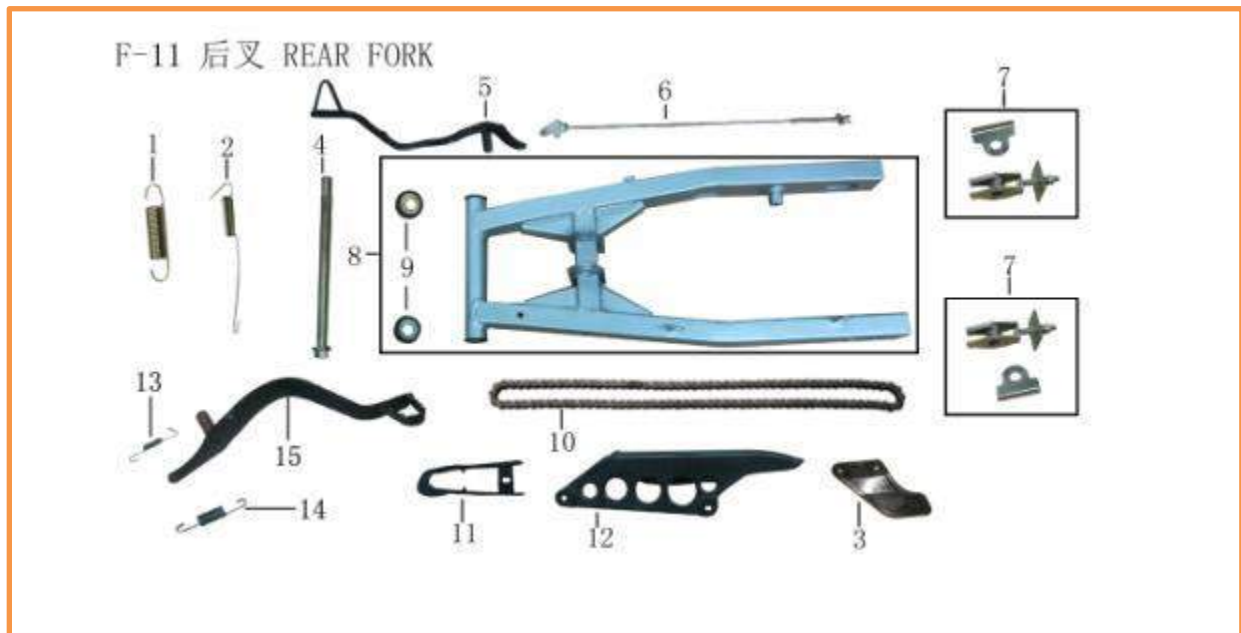
2509-1	Tube,Front Wheel	
2509-2	Tire,Front Wheel	
2509-3	Wheel,Front	
2509-4	Disk Comp.,Front Brake	
2509-5	Axle,Front Wheel	
2509-6	Washer,Flange	
2509-7	Speed Counter	
2509-8	Disc-Brake Assy.,Front	
2509-9	Pad Comp.,Front Brake	
2509-10	Lever Comp.,Right Steering Handle	
2509-11	Switch, Brake	
20049-12	Bolt set brake Disc	
2509-13	Spoke - LF250GY-4 inside 18pc front	
2509-14	Spoke - LF250GY-4 outside 18pc front	



200410-1	Tube,Rear Wheel	
200410-2	Tire,Rear Wheel	
200410-3	Wheel,Rear	
200410-4	Rear Wheel Buffer	
200410-5	Sprocket Comp.,Final Driven	
200410-6	Sprocket,Final Driven	
200410-7	Axle,Rear Wheel	
200410-8	Rear Wheel Bush, LH	
200410-9	Sprocket Hub Inner Bush	
200410-10	Rear Wheel Bush,RH	
200410-11	Rear Brake	
200410-12	Rear Brake Shoe	
200410-13	Spoke - LF200GY-4 inside 18pc rear	
200410-14	Spoke - LF200GY-4 outside 18pc rear	



25010-1	Tube,Rear Wheel	
25010-2	Tire,Rear Wheel	
25010-3	Wheel,Rear	
25010-4	Sprocket Comp.,Final Driven	
25010-5	Collar	
25010-6	Pad Comp.,Rear Brake	
25010-7	Axle,Rear Wheel	
25010-8	Rear Wheel Bush, LH	
25010-9	Disk Comp.,Rear Brake	
25010-10	Rear Brake Caliper Plate	
25010-11	Rear Hydraulic Disc Brake Assy	
25010-12	Bolt set brake Disc	
25010-13	Spoke - LF200GY-4 inside 18pc rear	
25010-14	Spoke - LF200GY-4 outside 18pc rear	



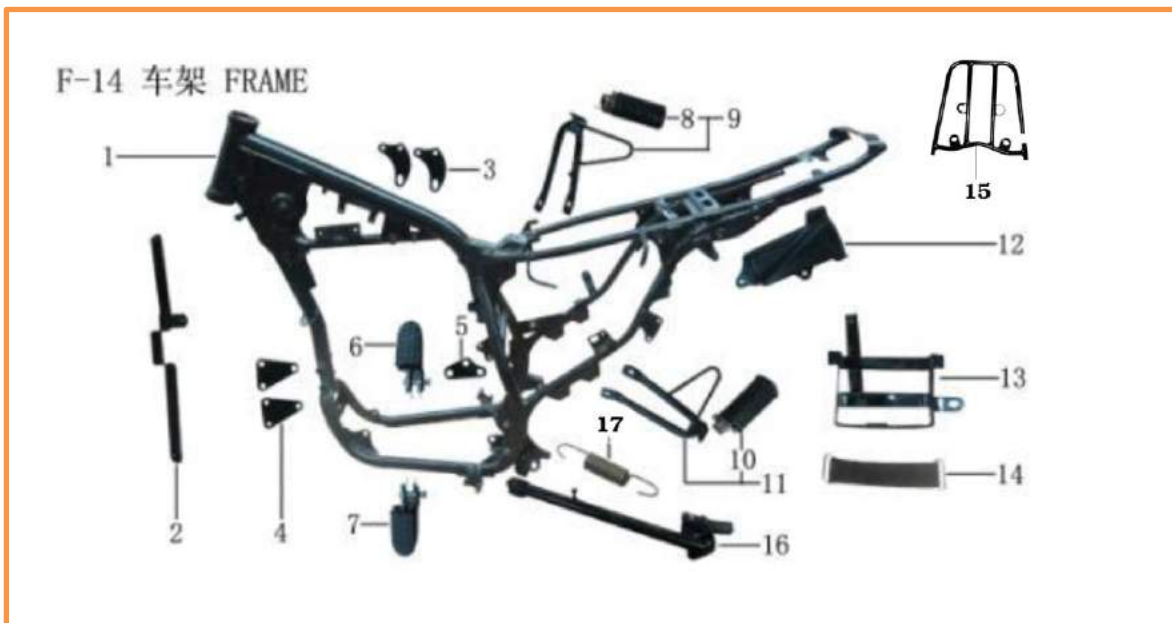
200411-1	Return Spring,Rear Brake Pedal	
200411-2	Extension Spring,Rear Brake Switch	
200411-3	Chain Link Guard Shield	
200411-4	Bolt, Rear Fork Pivot	
200411-5	Pedal Comp.,Rear Brake	
200411-6	Rod Comp.,Rear Brake	
200411-7	Adjuster,Drive Chain	
200411-8	Welding Comp.,Rear Fork	
25011-8	Fork - LF250GY-4 Rear	
200411-9	Cap,Rear Fork Dust Seal	
200411-10	Chain,Drive	
200411-11	Slider,Drive Chain	
200411-12	Case,Drive Chain	
25011-13	Extension Spring,Rear Brake Switch (250CC)	
25011-14	Return Spring,Rear Brake Pedal (250CC)	
25011-15	Pedal Comp.,Rear Brake (250CC)	



200412-1	Air Cleaner Comp.	
200412-2	Element,Air Cleaner	
200412-3	Muffler Assy.,Exhaust	
200412-4	Front Muffler	
200412-5	Rear Section Muffler	
200412-6	Clamp	
200412-7	Muffler Before The Decorative Cover	
200412-8	Exhaust Pipe	
200412-9	Muffler Shroud	
200412-10	Gasket,Exhaust Opening	



200413-1	Harness,Wire	
200413-2	Battery Assy.	
200413-3	Horn Assy.	
200413-4	Coil Assy.,Ignition	
200413-5	Unit Assy,C.D.I.	
25013-5	Unit Assy,C.D.I. (250CC)	
200413-6	Relay Assy.,Starting	
25013-6	Relay Assy.,Starting (250CC)	
200413-7	Rectifier Regulate Assy.	
200413-8	Flasher	
200413-9	Switch Assy.,Rear Brake	
25013-10	Harness,Wire (250 cc)	



200414-1	Body Comp.,Frame	
25014-1	Body Comp.,Frame (250CC)	
200414-2	Bracket Of Fuel Tank's Decorative Cover	
200414-3	Plate,Upper Engine Hanger	
200414-4	Plate,Front Engine Hanger	
200414-5	Plate,Rear Engine Hanger	
200414-6	Step Assy.Right	
200414-7	Step Assy.Left	
200414-8	Step,Right Pillion	
200414-9	Step Assy.,Right Pillion	
200414-10	Step,Left Pillion	
200414-11	Step Assy.,Left Pillion	
200414-12	Tool Box	
200414-13	Bracket,Battery	
200414-14	Band,Battery	
200414-15	Carrier - Rear	
200414-16	Stand Side	
200414-17	Spring Side stand	

163FML-2M

Engine Parts

LF200GY-4

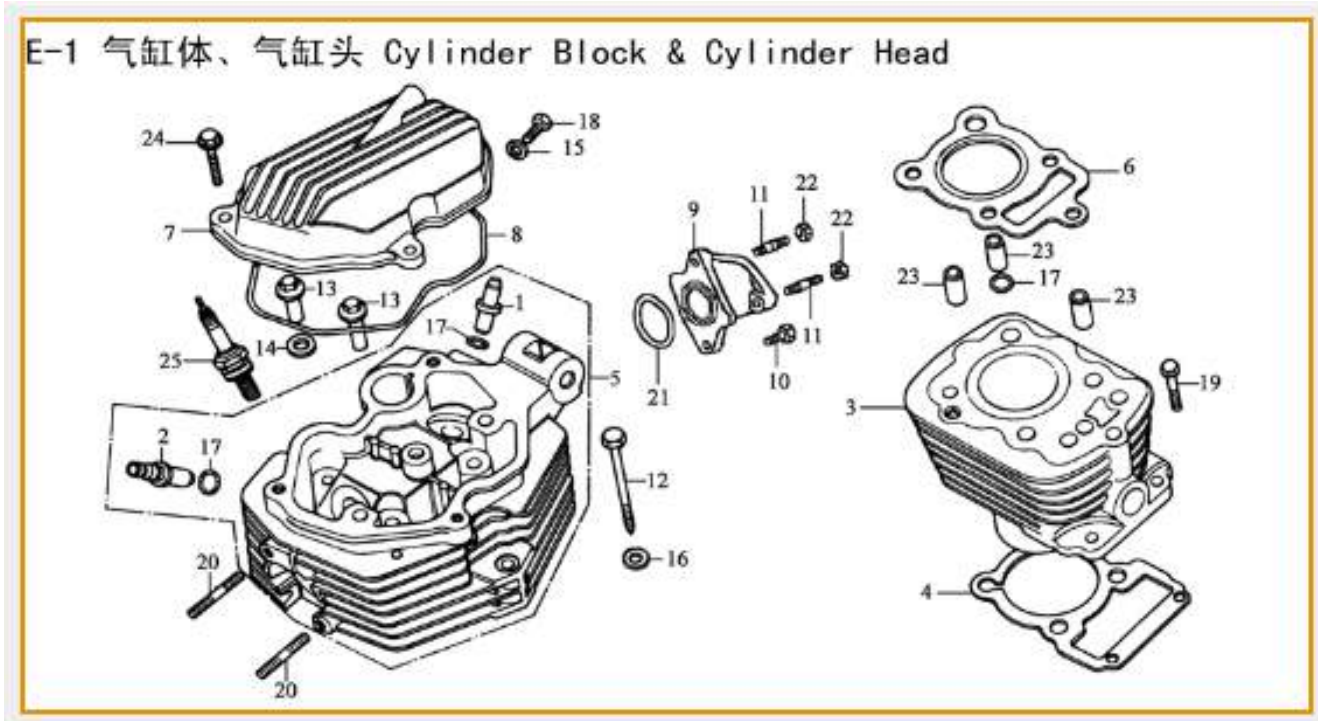


UNIVERSAL

H A R D W A R E®

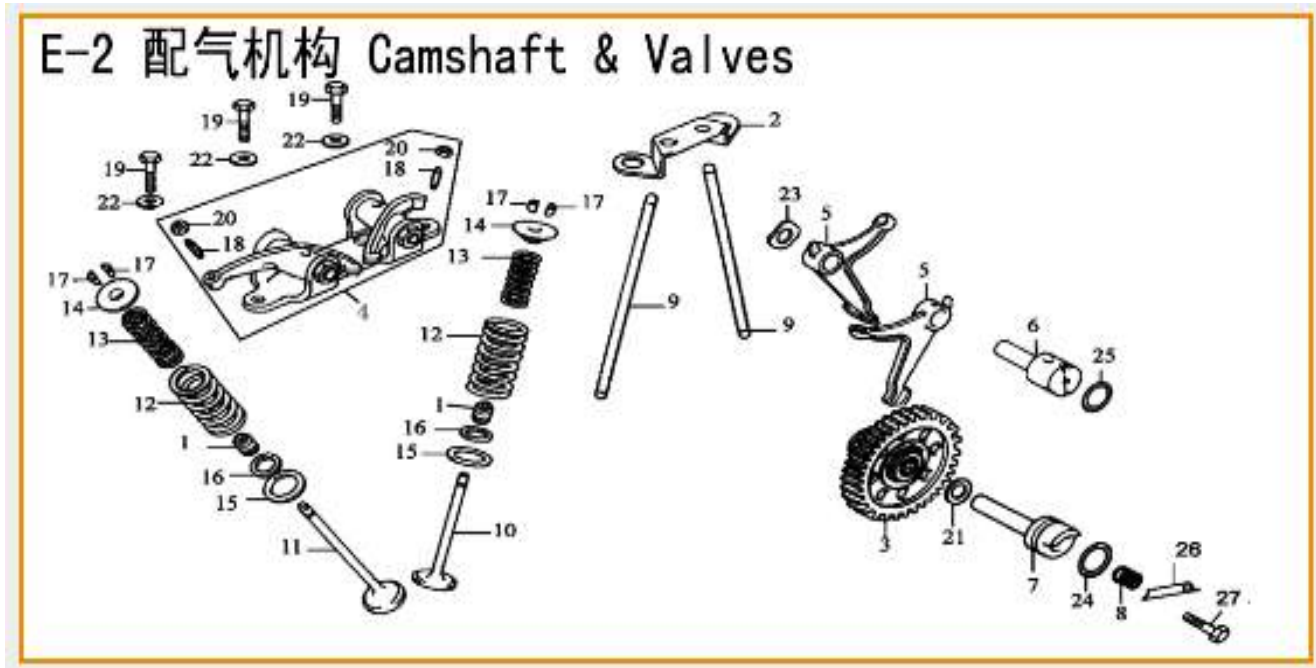
Box 585, Center Road
Spanish Lookout
Tel 501 823 0254
sales@universalhardware.bz

3380 Chetumal Street
Belize City
Tel 501 224 4140
salesbz@universalhardware.bz



1631-1	Intake Valve Guide
1631-2	Exhaust Valve Guide
1631-3	Cylinder Block Comp.
1631-4	Cylinder Block Gasket
1631-5	Cylinder Head Comp.
1631-6	Cylinder Head Gasket
1631-7	Cylinder Head Cover
1631-8	Cylinder Head Cover Gasket
1631-9	Intake Pipe Set
1631-10	Bolt M6x20
1631-11	Stud M6x22
1631-12	Stud M8x77
1631-13	Cap Nut

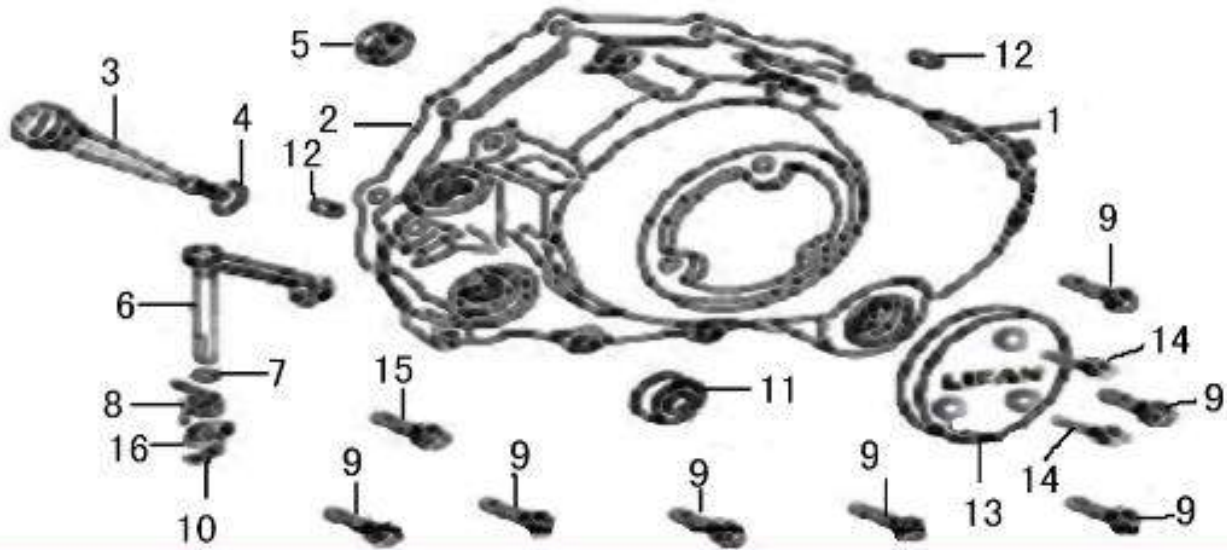
1631-14	Cylinder Bolt Steel Washer
1631-15	Cylinder Head Cover Oil Passage Washer 6
1631-16	Cylinder Head Washer lif8
1631-17	O-Ring,Guide
1631-18	Bolt M6x12
1631-19	Bolt M6x22
1631-20	Bolt M6x35
1631-21	Inlet Pipe O-Ring 33.5x3
1631-22	Nut M6
1631-23	Cylinder Head Dowel Pin 10x20
1631-24	Bolt M6x28
1631-25	Spark Plug(D8ea Ngk)



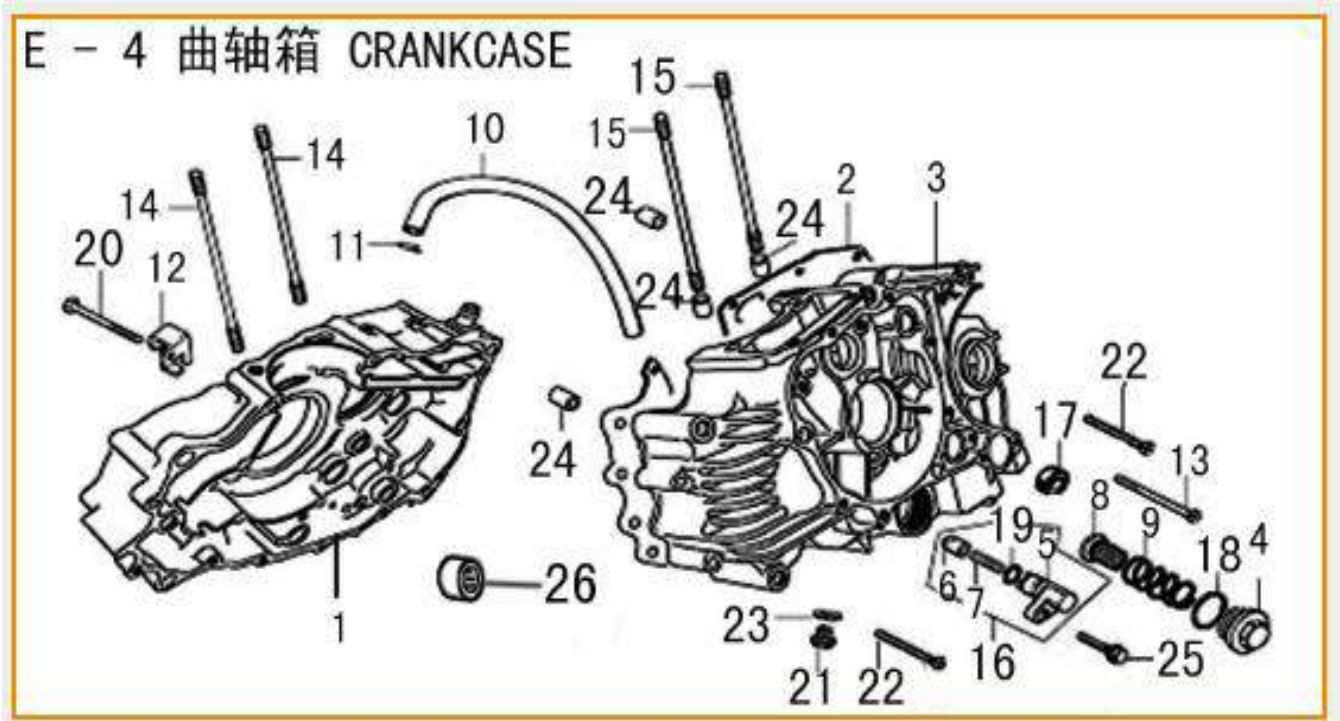
1632-1	Valve Stem Oil Seal
1632-2	Push Rod Support
1632-3	Timing Driven Gear
1632-4	Rocker Arm Bracket Comp.
1632-5	Lower Rocker Arm
1632-6	Lower Rocker Arm Shaft
1632-7	Camshaft
1632-8	Camshaft Spring
1632-9	Push Rod
1632-10	Intake Valve
1632-11	Exhaust Valve
1632-12	Valve Outer Spring,
1632-13	Valve Inner Spring
1632-14	Valve Spring Retainer

1632-15	Valve Outer Spring Seat
1632-16	Valve Inner Spring Seat
1632-17	Valve Split Cone
1632-18	Valve Adjusting Screw
1632-19	Bolt M8x28
1632-20	Valve Clearance Adjusting Nut
1632-21	Camshaft Washer
1632-22	Rocker Shaft Washer
1632-23	Lower Rocker Wavy Washer
1632-24	Camshaft O-Ring 20x2.5
1632-25	Lower Rocker O-Ring 17x2.5
1632-26	Camshaft Stopper
1632-27	Bolt M6x12

E-3 右曲轴箱盖 RIGHT CRANKCASE COVER

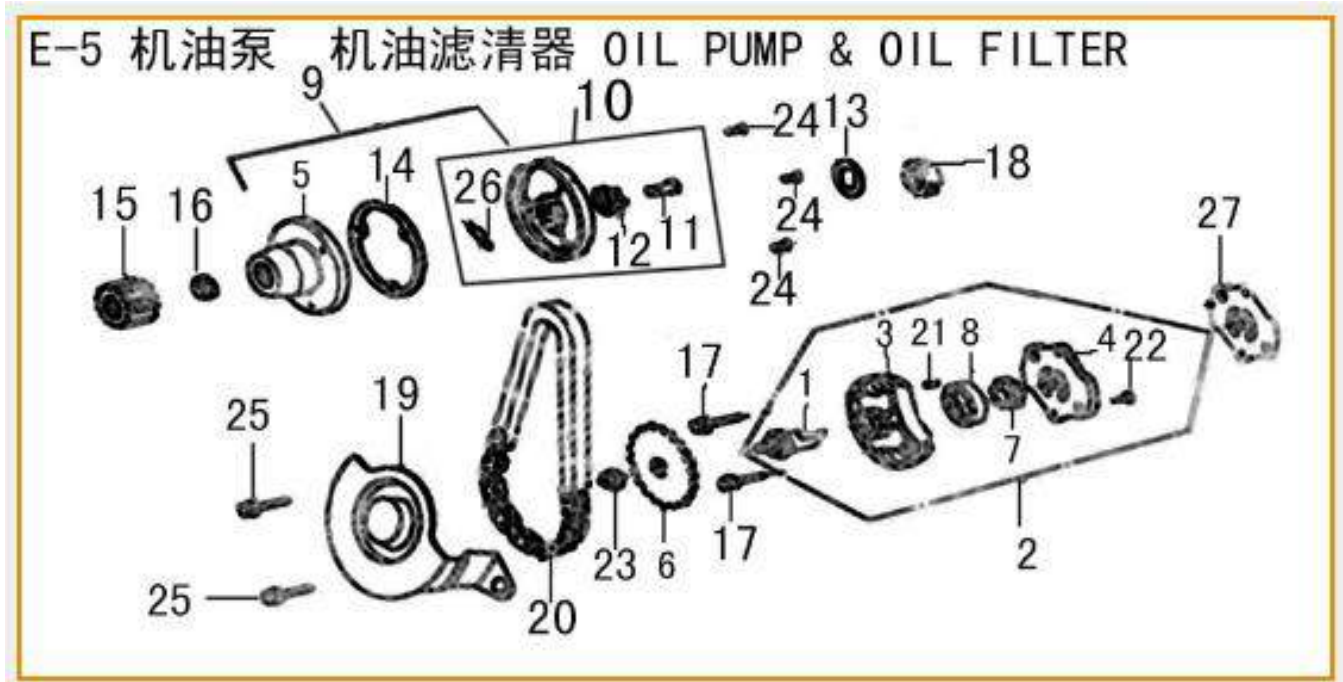


1633-1	Crankcase Cover,RH	
1633-2	Crankcase Cover Gasket, RH	
1633-3	Dipstick	
1633-4	Dipstick O-Ring, 18x3	
1633-5	Sight Glass	
1633-6	Clutch Lever Comp.	
1633-7	Clutch Lever O-Ring	
1633-8	Clutch Lever Spring	
1633-9	Screw, M6x40	
1633-10	Clutch Lever Pin	
1633-11	Oil Seal, 16x28x7	
1633-12	Crankcase Cover Dowel Pin RH 8x14	
1633-13	Small Lid, RH	
1633-14	Screw, M6x8	
1633-15	Screw, M6x50	
1633-16	Clutch Separating Cam	



1634-1	Crankcase Comp.,RH
1634-2	Crankcase Gasket
1634-3	Crankcase Comp.,LH
1634-4	Oil Filter Screen Cover
1634-5	Pin-Keeping Body
1634-6	Pin-Keeping
1634-7	Pin-Keeping Spring
1634-8	Oil Filter Screen
1634-9	Oil Filter Screen Spring
1634-10	Crankcase Waste Pipe
1634-11	Crankcase Waste Pipe Clip
1634-12	Clutch Cable Adjusting Stay
1634-13	Bolt, M6x95

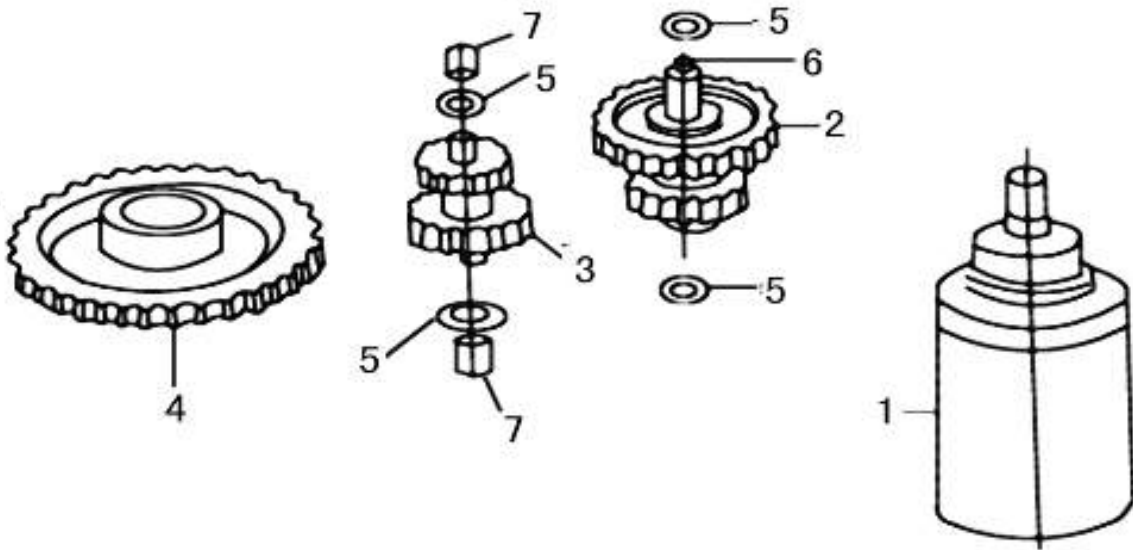
1634-14	Stud A
1634-15	Stud B
1634-16	Pin-Keeping Body Comp.
1634-17	Gearshift Shaft Oil Seal, 14x28x7
1634-18	Oil Filter Cover O-Ring, 35.5x3
1634-19	Crankcase O-Ring, LH 13x2.5
1634-20	Bolt, M6x55
1634-21	Drain Plug
1634-22	Bolt, M6x50
1634-23	Drain Plug Washer
1634-24	Crankcase Dowel Pin, 10x14
1634-25	Bolt, M6x20
1634-26	Needle Bearing 212810



1635-1	Oil Pump Shaft
1635-2	Oil Pump Assy
1635-3	Oil Pump Body
1635-4	Oil Pump Cover
1635-5	Oil Filter Rotator Comp.
1635-6	Oil Pump Driven Gear
1635-7	Oil Pump Inner Rotor
1635-8	Oil Pump Outer Rotor
1635-9	Oil Filter Assy
1635-10	Filter Cover
1635-11	Crankshaft Oil Pipe
1635-12	Crankshaft Oil Pipe Spring
1635-13	Primary Drive Gear Thrust Washer
1635-14	Oil Filter Cover Gasket

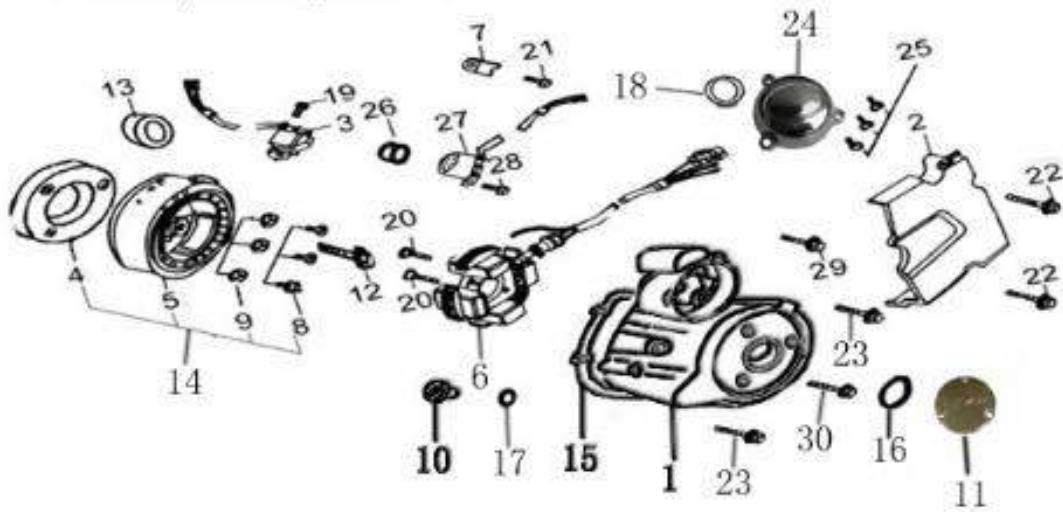
1635-15	Primary Drive Gear
1635-16	Oil Pump Driving Gear
1635-17	Bolt, M6x35
1635-18	Primary Drive Gear Locknut
1635-19	Oil Pump Chain Limiter
1635-20	Oil Pump Chain
1635-21	Oil Pump Dowel Pin
1635-22	Screw, M3x8
1635-23	Nut, M6
1635-24	Screw, M5x12
1635-25	Bolt, M6x12
1635-26	Oil Filter Snap Ring
1635-27	Oil Pump Gasket

E-6 起动电机 Starting Motor



1636-1	Starting Motor Assy	
1636-2	Dual-Gear Comp.1	
1636-3	Dual-Gear Comp. II	
1636-4	Starting Clutch Gear Comp.	
1636-5	Dual-Gear Washer	
1636-6	Dual-Gear Shaft Comp.	
1636-7	Needle Bearing Hk101410	

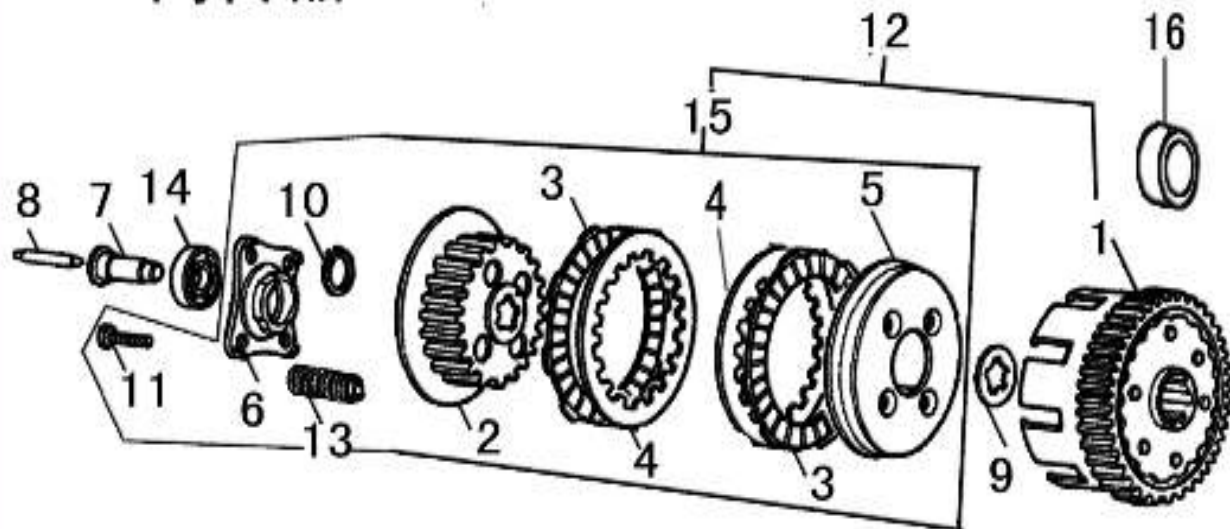
E-7 磁电机 Magneto



1637-1	Crankcase Cover, LH
1637-2	Rear Cover, LH
1637-3	Induction Coil
1637-4	Starting Clutch Assy
1637-5	Magneto Rotor Comp.
1637-6	Magneto Stator Comp.
1637-7	Magneto Wire Clip
1637-8	Screw M8x30
1637-9	Spring Washer F8
1637-10	View Hole Plug
1637-11	Small Lid, LH
1637-12	Locknut, Magneto
1637-13	Crankshaft Oil Seal,LH(50x34x7)
1637-14	Magneto Rotor Assy
1637-15	Crankcase Cover Gasket,LH

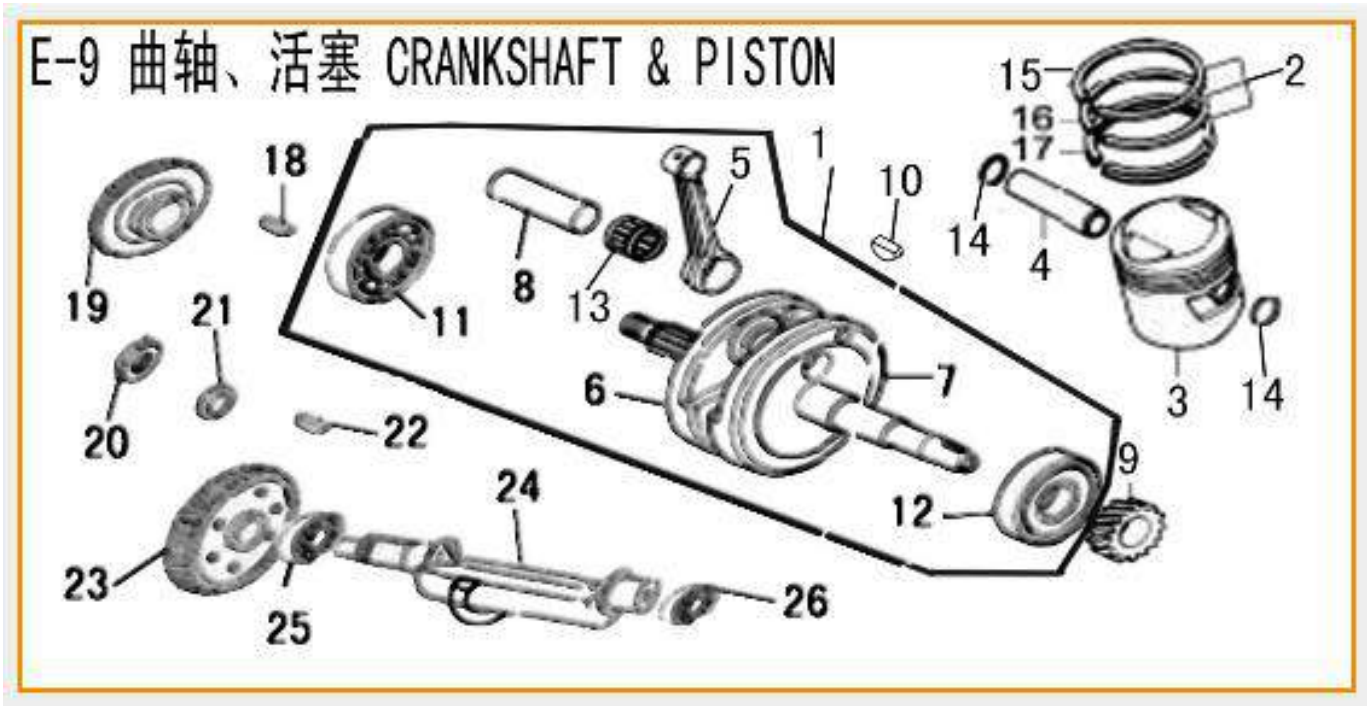
1637-16	Plug O-Ring 27.5x2.5
1637-17	Watch Hole Plug O-Ring 13.8x2.5
1637-18	O-Ring 63x3
1637-19	Screw M5x16
1637-20	Screw M5x30
1637-21	Bolt M6x12
1637-22	Bolt M6x28
1637-23	Bolt M6x40
1637-24	Idler Cover
1637-25	Screw M6x20
1637-26	Neutral Indicator O-Ring
1637-27	Indicator, Gear
1637-28	Bolt M6x12
1637-29	Bolt M6x25
1637-30	Bolt M6x50

E-8 离合器 Clutch



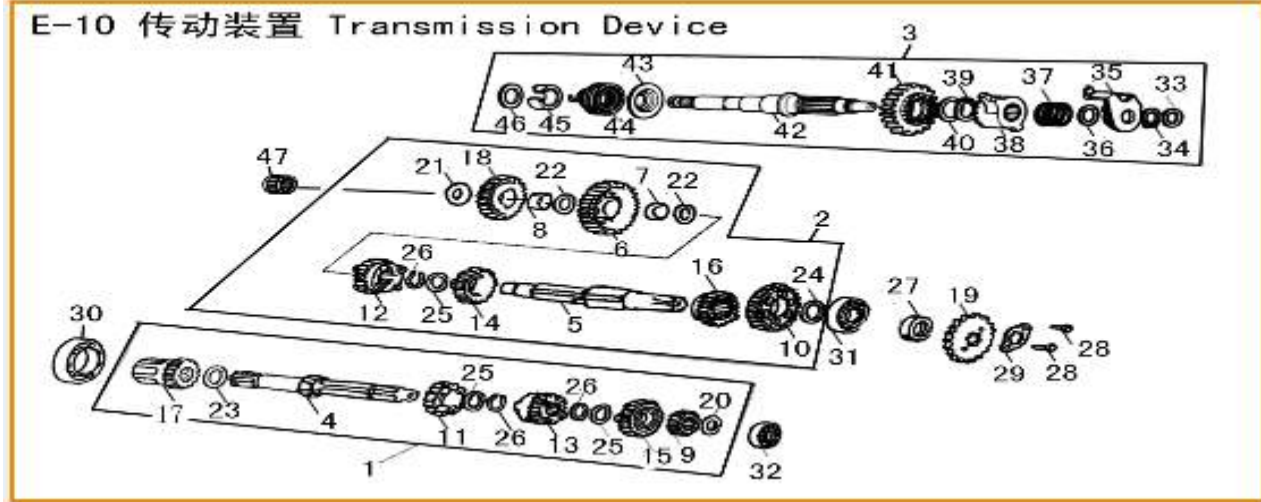
1638-1	Drive Disc Set
1638-2	Driven Disc Set
1638-3	Drive Plates
1638-4	Driven Plates
1638-5	Clutch Pressure Plate
1638-6	Clutch Lifter Plate
1638-7	Clutch Pusher
1638-8	Clutch Mandrel
1638-9	Clutch Spline Washer

1638-10	Circlip 17
1638-11	Bolt M6x25
1638-12	Clutch Main Body
1638-13	Clutch Spring
1638-14	Bearing 6001
1638-15	Driven Disc Assy
1638-16	Clutch Thrust Sleeve



1639-1	Crankshaft & Connecting Rod
1639-2	Piston Ring Set
1639-3	Piston
1639-4	Piston Pin
1639-5	Connecting Rod
1639-6	Crankshaft, RH
1639-7	Crankshaft, LH
1639-8	Crankshaft Pin
1639-9	Timing Drive Gear
1639-10	Crankshaft Woodruff Key
1639-11	Crankshaft Bearing, RH
1639-12	Crankshaft Bearing, LH
1639-13	Connecting Rod Big End Bearing

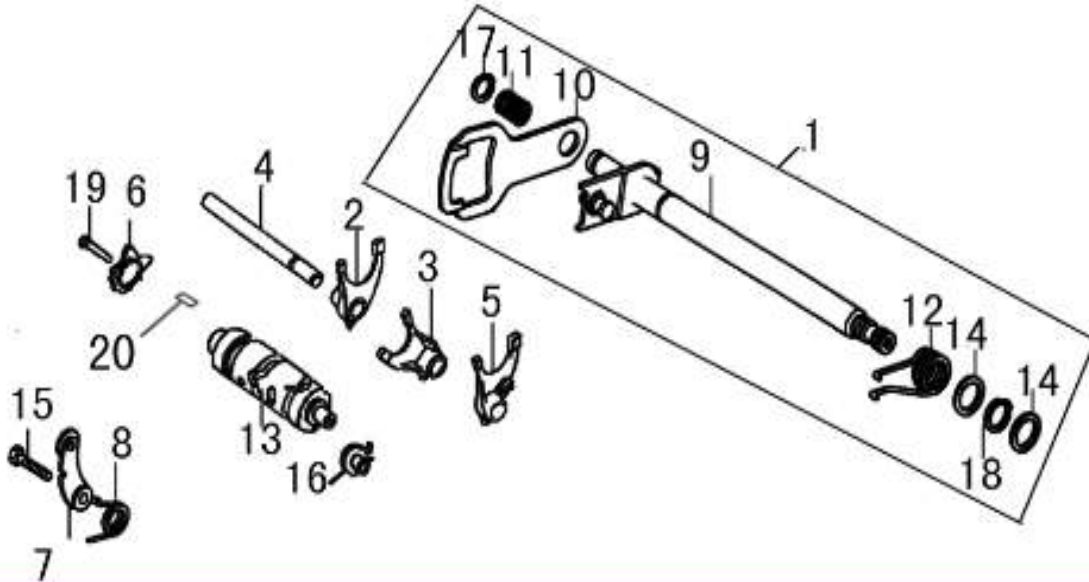
1639-14	Piston Pin Circlip
1639-15	Piston Ring I
1639-16	Piston Ring II
1639-17	3-Piece Oil Ring
1639-18	Woodruff Key
1639-19	Balanced Shaft Driving Gear
1639-20	Locknut
1639-21	Washer
1639-22	Flat Key
1639-23	Balanced Shaft Driven Gear
1639-24	Balanced Shaft
1639-25	Bearing, 6303(17×47×14)
1639-26	Bearing, 6203(17×40×12)



16310-1	Mainshaft Assy
16310-2	Countershaft Assy
16310-3	Starting Shaft Assy
16310-4	Mainshaft
16310-5	Countershaft
16310-6	Countershaft First Gear
16310-7	Countershaft 1st Gear Bush
16310-8	Starting Mid-Gear Bush
16310-9	Mainshaft 2nd Gear
16310-10	Countershaft 2nd Gear
16310-11	Mainshaft 3rd Gear
16310-12	Countershaft 3rd Gear
16310-13	Mainshaft 4th Gear
16310-14	Countershaft 4th Gear
16310-15	Mainshaft 5th Gear
16310-16	Countershaft 5th Gear
16310-17	Starting Driven Gear Comp.
16310-18	Starting Mid-Gear Comp.
16310-19	Output Sprocket
16310-20	Mainshaft Washer
16310-21	Starting Mid-Gear Washer
16310-22	Countershaft Washer
16310-23	Washer

16310-24	Countershaft Washer II
16310-25	Mainshaft Spline Washer
16310-26	Circlip
16310-27	Oil Seal 20x34x7
16310-28	Bolt M6x10
16310-29	Output Sprocket Locating Plate
16310-30	Bearing 6106
16310-31	Bearing 6204
16310-32	Bearing 6202
16310-33	Starting Shaft Washer III
16310-34	Circlip
16310-35	Ratchet Guide Comp.
16310-36	Starting Shaft Washer II
16310-37	Starting Shaft Spring
16310-38	Ratchet
16310-39	Circlip 20
16310-40	Starting Shaft Washer I
16310-41	Starting Gear
16310-42	Starting Shaft
16310-43	Starting Shaft Spring Seat
16310-44	Starting Torsion Spring
16310-45	Starting Shaft Sleeve
16310-46	Starting Shaft Washer IV
16310-47	Bearing HK152312

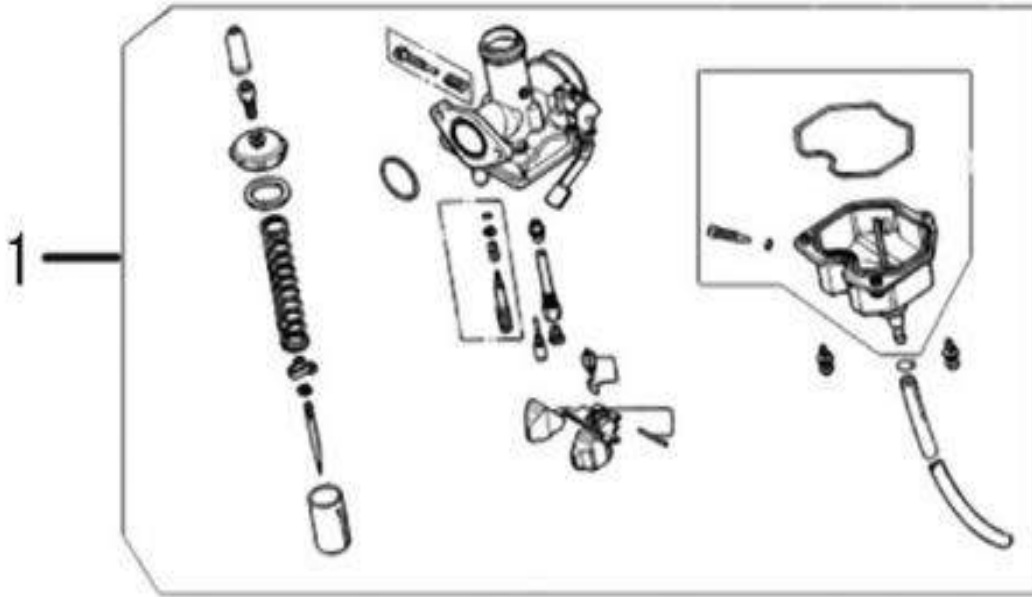
E-11 变档机构 GEARSHIFT DEVICE



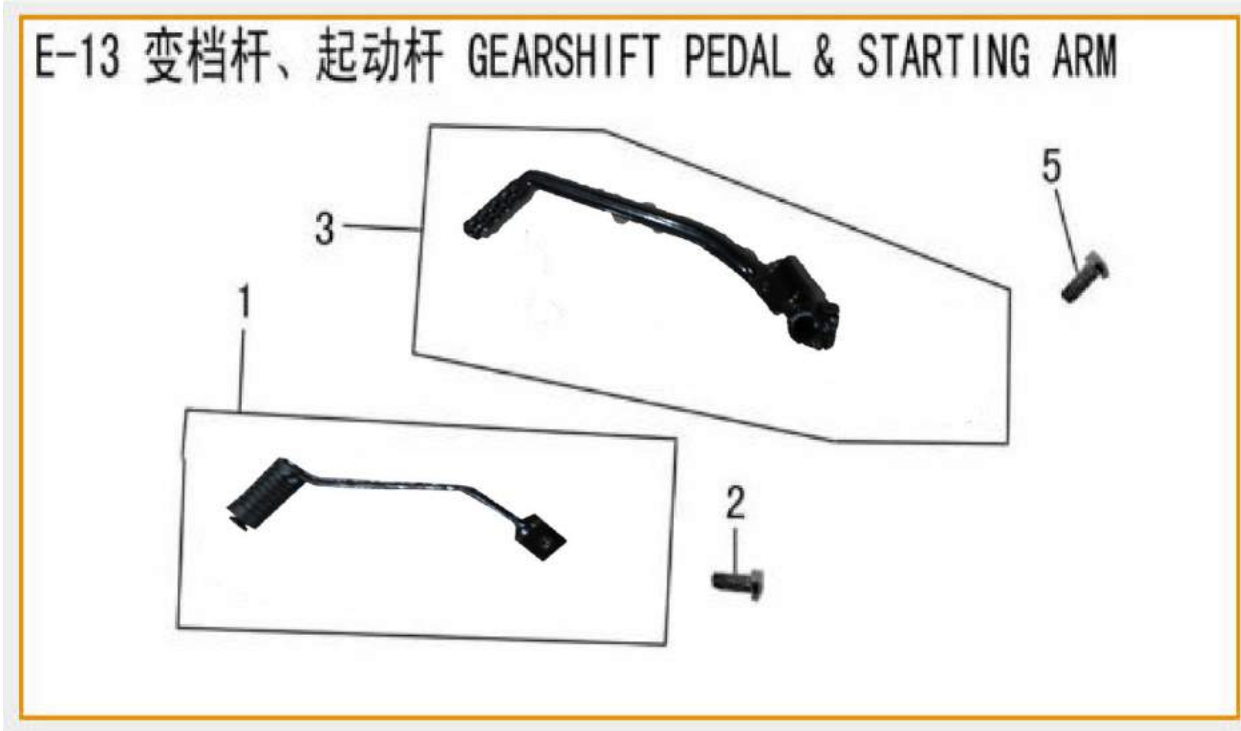
16311-1	Gearshift Shaft Assy
16311-2	Fork III
16311-3	Fork II
16311-4	Fork Shaft
16311-5	Fork I
16311-6	Gearshift Cam
16311-7	Limit Block
16311-8	Limit Block Torsion Spring
16311-9	Gearshift Shaft
16311-10	Gearshift Shifter
16311-11	Gearshift Spring

16311-12	Gearshift Shaft Return Spring
16311-13	Gearshift Drum
16311-14	Gearshif Shaft Washer
16311-15	Bolt M6x20
16311-16	Gear Indicator Contactor Comp.
16311-17	Circlip 12
16311-18	Circlip 14
16311-19	Bolt M6x25
16311-20	Gearshift Cam Pin, B4x10

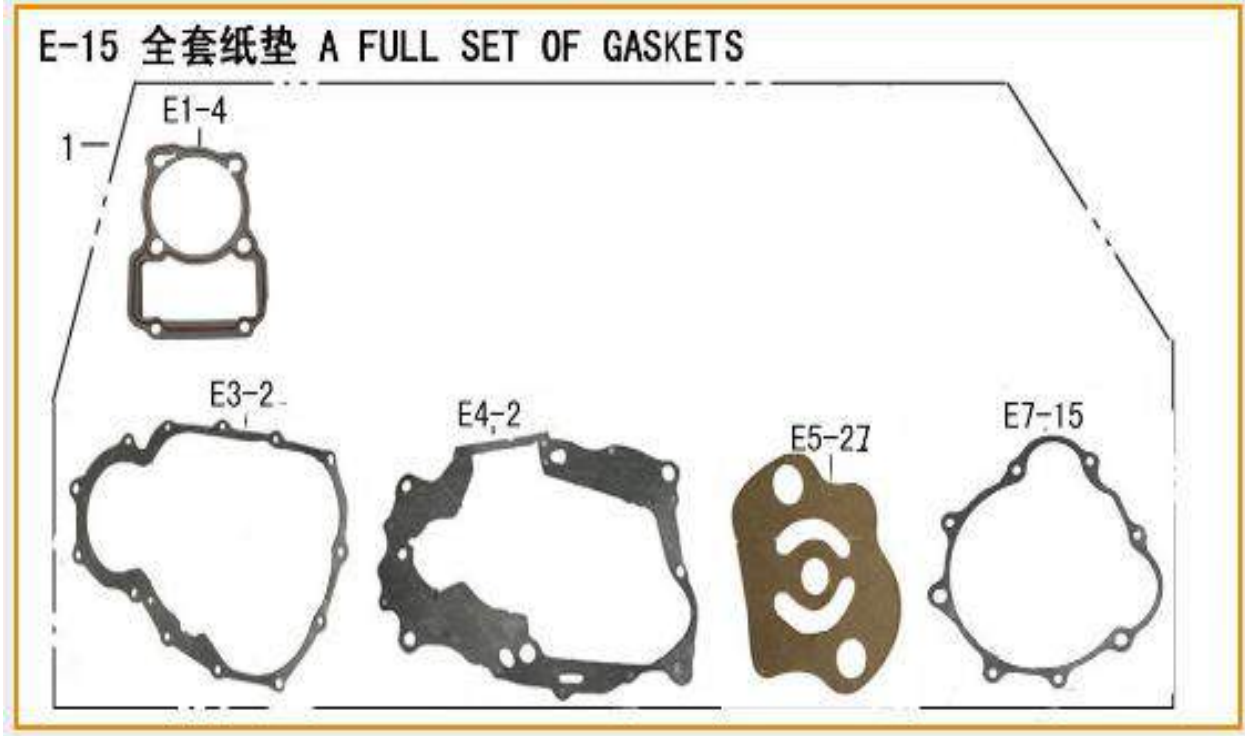
E-12 化油器 CARBURETOR



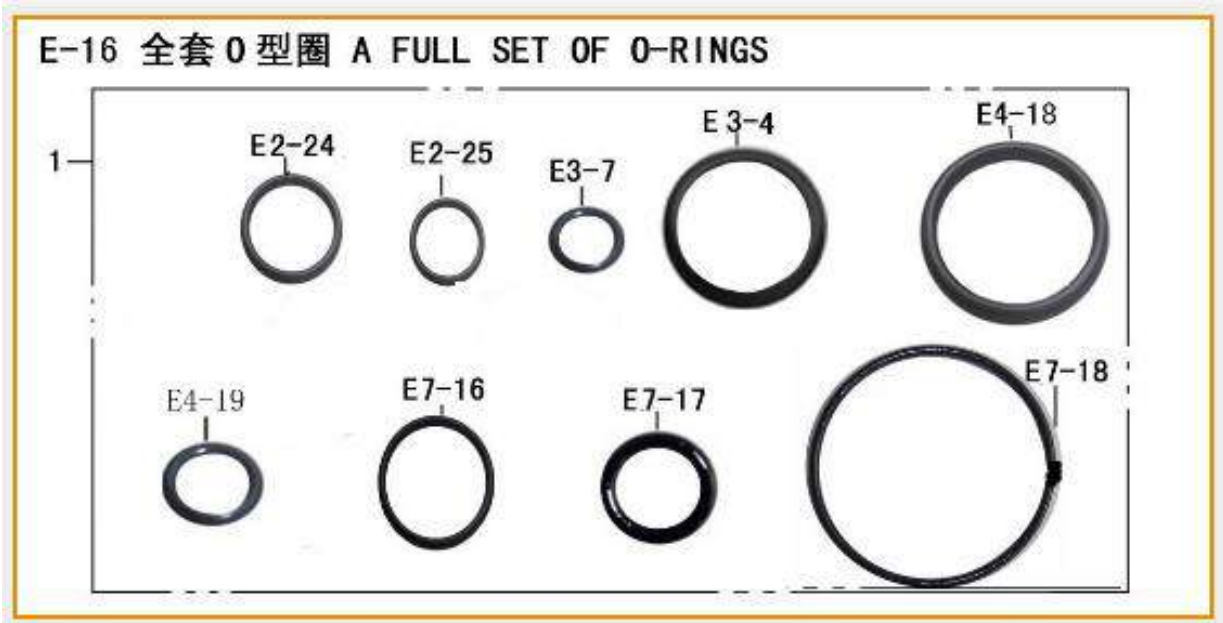
16312-1	Carburetor Assy	
---------	-----------------	--



16313-1	Gearshift Pedal Assy	
16313-2	Bolt M6x20	
16313-3	Starting Arm Assy	
	Starting Arm Assy Rubber Boot	
16313-5	Bolt M8x40	



16315-1	A Full Set Of Gaskets	
---------	-----------------------	--



16316-1	A Full Set Of O-Rings	
---------	-----------------------	--

E-17 全套油封 A FULL SET OF OIL SEALS



16317-1	A Full Set Of Oil Seals	
---------	-------------------------	--


E-18 全套轴承 A FULL SET OF BEARINGS



16318-1	A Full Set Of Bearings	
---------	------------------------	--

LF200GY-4

Parts Catalog

- **Always wear a helmet while driving Motorcycles**
 - **Always have your headlights on while driving, even during the day – for safety reasons and longer battery life**
 - **Make sure all lights work properly at all times**
 - **Always drive with Insurance Coverage, Licensed Motorcycle and Motorcycle Driver's License**
 - **Change oil (SAE15W/40SE) after the first 500 KMs and after every 2,000 KMs**
 - **Use Regular Gas**
 - **Always Drive with Awareness for SAFETY.**
- 



Meilun Motorcycle Warranty Policy

Meilun Motorcycles are under 3 months or 2,000 KMs warranty – whichever comes first. Specific items under warranty are:

- The Engine, and its related parts
- Cables, Horn, Switches
- And any other manufacturer's defect on motorcycle.

The following items are *not* covered under this warranty:

- Tires, Tubes, Chain & Sprockets
- Covers, Mirrors, Light Lenses, Alarm System
- Battery – unless convincing evidence shows defect
- And any other damages or wear & tear occurring under the owner's care.